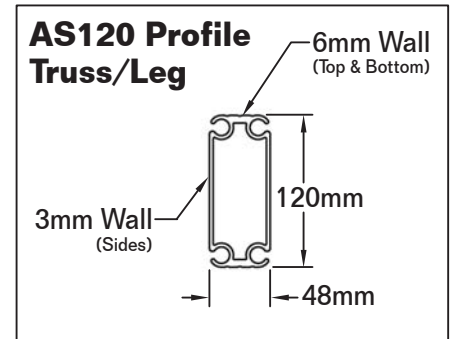
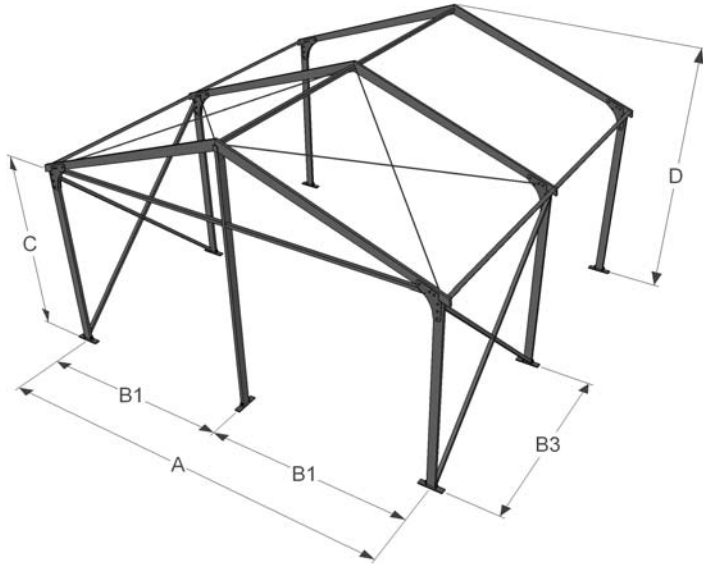


# AMERISPAN

BY EVENTEC

## AS120 6m (20') Width, 3m Leg Standard Structure



### Dimensions and Technical Specifications

#### All Dimensions On Center

|                         |       |         |
|-------------------------|-------|---------|
| (A) Width               | 6.02m | 19.76ft |
| (B1) Gable Leg Distance | 3.01m | 9.88ft  |
| (B3) Truss/Leg Distance | 3.00m | 9.84ft  |
| (C) Eave Height         | 2.96m | 9.72ft  |
| (D) Ridge Height        | 4.08m | 13.40ft |

#### Not Compatible with Glasswall or Hardwall Systems

Roof Slope 20 degrees

#### Load Requirements

|                             |        |         |
|-----------------------------|--------|---------|
| Total Balanced Hanging Load | 102 kg | 225 lbs |
| Ridge Hanging Load          | 34 kg  | 75 lbs  |
| Right Truss Hanging Load    | 34 kg  | 75 lbs  |
| Left Truss Hanging Load     | 34 kg  | 75 lbs  |

Hanging Loads Attached to Truss Utilizing Beam Clamp

#### Extruded Aluminum Parts

Hollow, Tracked Profile Shown Above  
6061 T-6 Aluminum  
Clear Anodized 204-R1 Finish

#### Steel Parts

A36 Structural Steel  
A572 Grade 50 for Leg Reinforcement Plates  
Hot-Dip Galvanized for Corrosion Resistance

#### AS120 X-Bracing

One 3m Bay Containing X-Bracing and Rafter  
Cables Can be Followed with Up To Five  
Open 3m Bays Without X-Braces or Cables

\*Technical specifications may change at any time  
without notice. ©2012 Eventec

Available Exclusively From:



LEADERS IN INNOVATIVE EVENTS