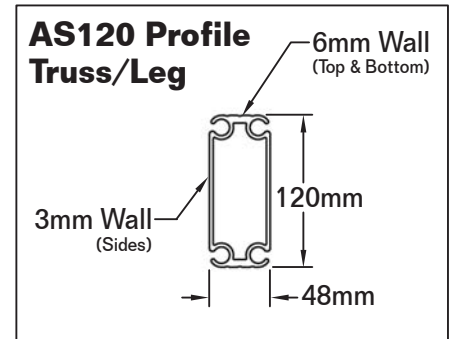
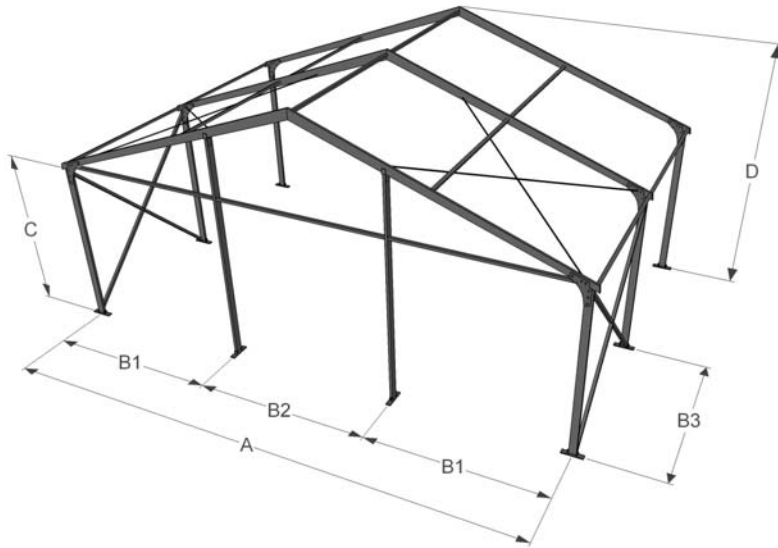


# AMERISPAN

BY EVENTEC

## AS120 9m (30') Width, 3m Leg Standard Structure



### Dimensions and Technical Specifications

#### All Dimensions On Center

(A) Width	9.02m	29.61ft
(B1) Gable Leg Distance	3.01m	9.88ft
(B2) Gable Leg Distance	3.00m	9.85ft
(B3) Truss/Leg Distance	3.00m	9.84ft
(C) Eave Height	2.96m	9.72ft
(D) Ridge Height	4.63m	15.19ft

#### Not Compatible with Glasswall or Hardwall Systems

Roof Slope 20 degrees

#### Load Requirements

Total Balanced Hanging Load	102 kg	225 lbs
Ridge Hanging Load	34 kg	75 lbs
Right Truss Hanging Load	34 kg	75 lbs
Left Truss Hanging Load	34 kg	75 lbs

Hanging Loads Attached to Truss Utilizing Beam Clamp

#### Extruded Aluminum Parts

Hollow, Tracked Profile Shown Above  
6061 T-6 Aluminum  
Clear Anodized 204-R1 Finish

#### Steel Parts

A36 Structural Steel  
A572 Grade 50 for Leg Reinforcement Plates  
Hot-Dip Galvanized for Corrosion Resistance

#### AS120 X-Bracing

One 3m Bay Containing X-Bracing and Rafter  
Cables Can be Followed with Up To Five  
Open 3m Bays Without X-Braces or Cables

\*Technical specifications may change at any time  
without notice. ©2012 Eventec

Available Exclusively From:



LEADERS IN INNOVATIVE EVENTS