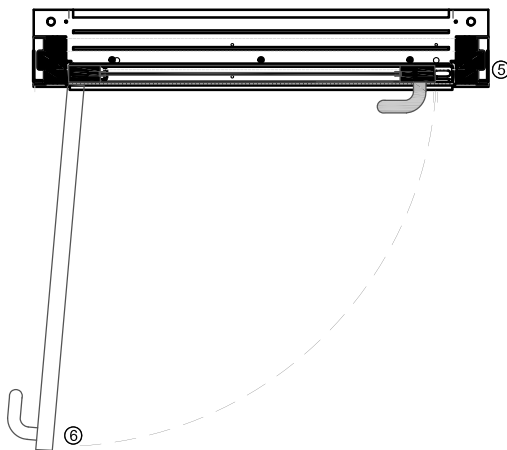
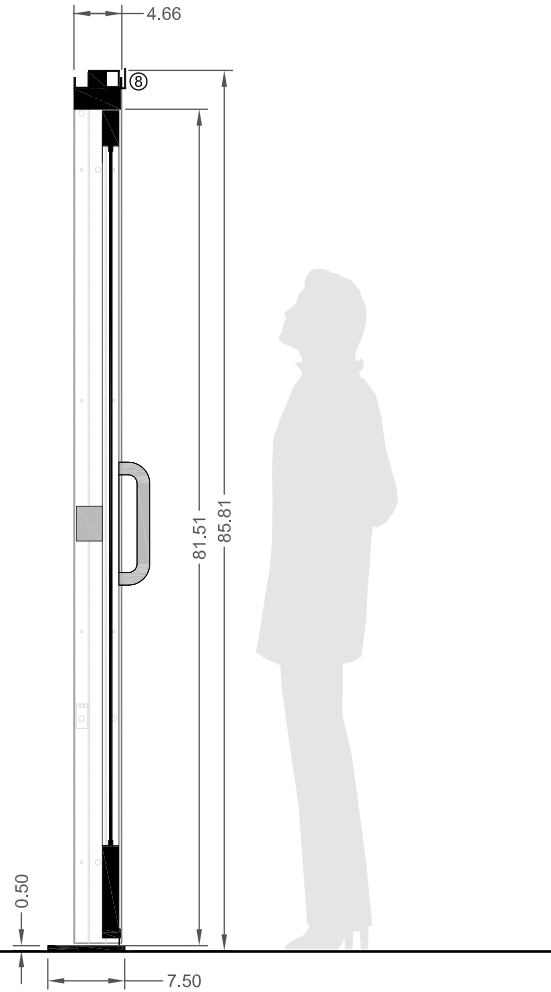


NOTE: UNITS ARE IN INCHES

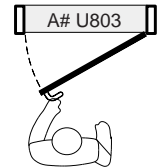
UNIT WEIGHT: 250 lbs
 OPENING DIMENSIONS: 37.94" W X 81.5" H
 OUTSIDE DIMENSIONS: 44.25" W X 85.65" H



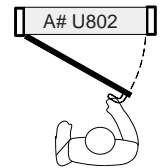
KEY FEATURES

- ① Clear anodized aluminum finish
- ② Reinforced frame
- ③ ADA compliant bottom rail/threshold
- ④ Lockable vertical rod exit device/panic bar (all doors keyed the same)
- ⑤ Hard-wall & soft-wall compatible
- ⑥ Concealed closer with 105° hold open
- ⑦ Integrated retainer for graphic inserts & block out panels
- ⑧ Rain gutter integrated at header

Left Hand Out-Swing



Right Hand Out-Swing



arena
 AMERICAS

Oak Creek, WI
 Belleville, NJ
 Chicago, IL
 Orlando, FL
 Fort Irwin, CA

ARENA SINGLE DOOR ASSEMBLY

REVISIONS	
DATE	BY
①	
②	
③	
④	
⑤	
⑥	

A# U802 R
 A# U803 L
 Drawn By: PDB
 Date: 20150417

SHEET 1